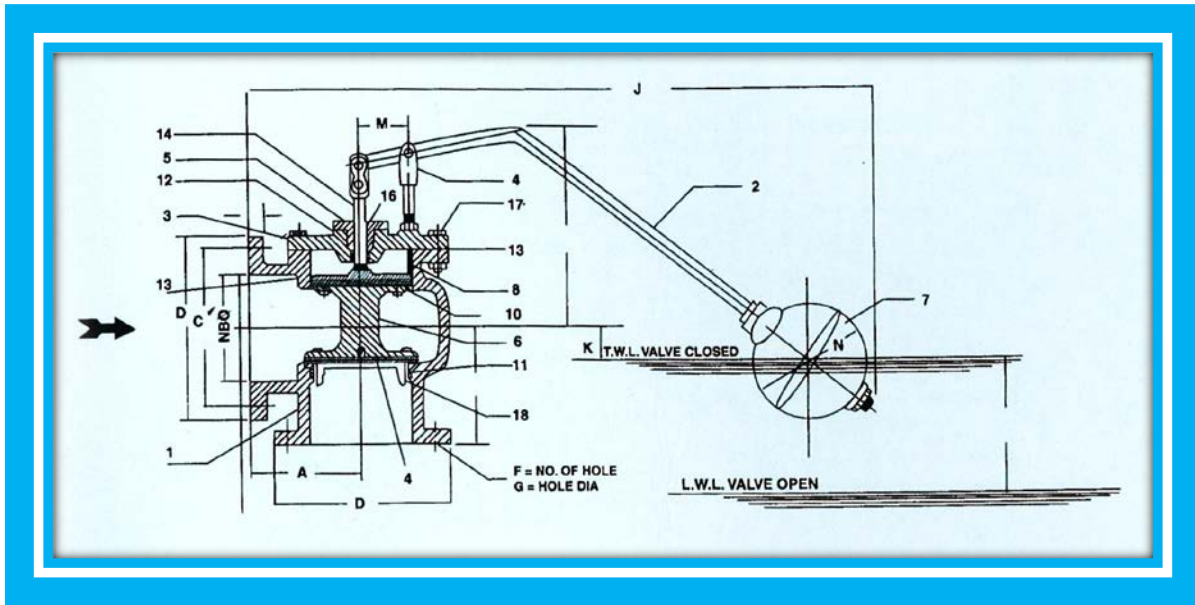


# Cast Iron Ball Float Valve



Size (NB) In mm.	A	B	C	D	E	F	G	H	J	K	L	M	N
	Max	Max						Max	Max	Max	Max	Max	Max
50	102	95	125	165	18.0	19	4	191	660	25	121	54.0	203
80	115	115	160	200	20.0	19	4	222	800	38	159	60.0	228
100	140	130	180	220	22.0	19	8	235	825	51	191	65.0	228
125	160	150	210	250	22.5	19	8	250	980	65	225	70.0	254
150	185	162	240	285	23.0	23	8	278	997	76	248	76.0	254
200	216	194	295	340	24.5	23	8	345	1162	100	330	82.5	305

SL. NO.	DESCRIPTION	MATERIAL & SPECIFICATION
01.	Body	Cast Iron IS : 210 Gr. FG 200
02.	Lever	M.S., IS : 2062
03.	Cover	Cast Iron IS : 210 Gr. FG 200
04.	Fulcrum Bracket	M.S., IS : 2062
05.	Gland	Cast Iron IS : 210 Gr. FG 200
06.	Valve	Cast Iron IS : 210 Gr. FG 200
07.	Float	C.U. Tinned Copper
08.	Liner	Brass, IS : 320/80
09.	Leather Face	Rubber
10.	Cup Leather	Asnned Leather
11.	Body Ring	Bronze LTB 2. IS : 318/81
12.	Packing	Leather
13.	Gasket	Rubber, IS : 638 Type – B
14.	Piston	S.S. AISI 4 : 10
15.	Backing Plate	Bronze LTB 2. IS : 318/81
16.	Bush	Bronze LTB 2. IS : 318/81
17.	Bolts & Nuts	Carbon Steel, IS : 1367/67
18.	Guide Wings	C.I., IS : 210 FG 200

- Flange STD – IS : 1538 (Part IV & V) / 76.
- Valve As Per G & K Catalogue Fig. H48
- Max Working Pressure 3.5 to 7 Kgf /Cm2
- Test Pressure 15Kgf/Cm2
- All Dimension Are In mm.
- All Dimension Are In mm.