

BILL OF MATERIALS

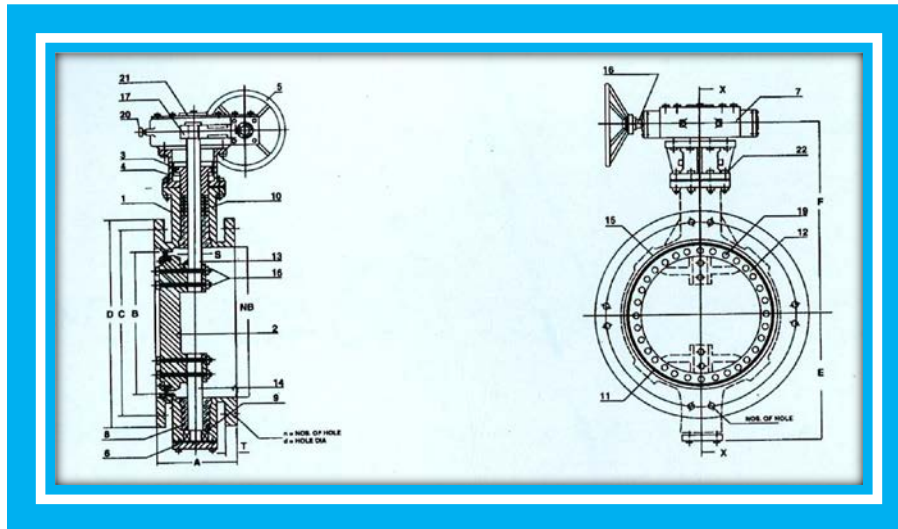
| SL. NO. | DESCRIPTION | MATERIAL & SPEFICATION |
|---------|-----------------------|-------------------------------|
| 01. | Body | Cast Iron IS : 210 Gr. FG 200 |
| 02. | Disc (Expoxy Coating) | Cast Iron IS : 210 Gr. FG 200 |
| 03. | Hand Wheel | Cast Iron IS : 210 Gr. FG 200 |
| 04. | Shaft | S.S., AISI - 410 / 304 / 316 |
| 05. | Seat | Nitrile / EPDM / Viton |
| 06. | Pin | S.S., AISI - 304 |
| 07. | Leaver | C.I. / M.S. |
| 08. | Bush | G.M. / Brass |
| 09. | Shaft Seal | Rubber 'O' Ring |
| 10. | Gear Unit | Cast Iron IS : 210 Gr. FG 200 |
| 11. | Indicator | Aluminium |

- Construction of Materials as Per specified in the drawing are standard specification which may be provide other than standard.
- Manufacturing range NB 50mm. to 300mm.
- NB 50mm. to 150mm. Leaver Operated.
- NB 200mm. to 300mm. Gear Operated

| Dimension of Cast Iron Wafer Type Butterfly Valve As Per IS : 13095 / 91, BS : 5155 | | | | | | | | | | |
|---|-----|--------------------------|-----|-----|------|------|------|------|------|-------------------------|
| Size (NB) In mm. | A | Face to Face (Max) | C | D | J | E | F | G | H | Approx Weight Kg. |
| 50 | 97 | 43 | 84 | 113 | 250 | ---- | ---- | ---- | ---- | 3.5 |
| 65 | 110 | 46 | 90 | 121 | 250 | ---- | ---- | ---- | ---- | 4.5 |
| 80 | 119 | 46 | 97 | 128 | 250 | ---- | ---- | ---- | ---- | 5.5 |
| 100 | 151 | 52 | 113 | 146 | 250 | ---- | ---- | ---- | ---- | 6.5 |
| 125 | 188 | 56 | 131 | 158 | 250 | ---- | ---- | ---- | ---- | 8.0 |
| 150 | 212 | 56 | 149 | 174 | 250 | ---- | ---- | ---- | ---- | 10.0 |
| 200 | 269 | 60 | 184 | 198 | 250 | ---- | ---- | ---- | ---- | 18.0 |
| 250 | 320 | 68 | 210 | 250 | ---- | 310 | 195 | 60 | 288 | 30.0 |
| 300 | 370 | 78 | 235 | 250 | ---- | 310 | 195 | 60 | 338 | 44.0 |

- **Mounting** : Valves suitable for mounting between flanges as per IS : 1538/BS 10 Table D / E (Optional : DIN / ANSI API)
- **Application** : Butterfly valves are ideally suited for Throttling, Regulating and On / Off Services for Practically all mediums of flow, viz., Water, Gases, Liquid, Food, Chemical, Oil, Vacuum Etc.
- **Features** : Pipe lined rulon bushes mean low torque, easy of operation maintenance free & small actuators, integral flange sealing, completed lined for all service.
- **Operation** : Valve are available with Hand Levers, Worm Gear, Pneumatic And Electric actuator Limit, Switches and Positioners.
- **Working Pressure** : PN-1.0 / 0.6 /0.26
- **Temp** : Suitable up to 80 deg C
- All Dimension Are In mm.

Cast Iron Double Flange Butterfly Valve With Worm Gear



| Size NB | A | | Shaft Dia. | B Seat Bore | E | F |
|---------|----------|------|------------|-------------|------|------|
| | ISS & BS | AWWA | | | | |
| 250 | 165 | 203 | 28 | 230 | 260 | 475 |
| 300 | 178 | 203 | 30 | 280 | 275 | 495 |
| 350 | 190 | 203 | 35 | 325 | 300 | 535 |
| 400 | 216 | 203 | 45 | 375 | 36 | 575 |
| 450 | 222 | 203 | 50 | 425 | 380 | 605 |
| 500 | 229 | 203 | 55 | 475 | 395 | 640 |
| 600 | 267 | 203 | 60 | 575 | 420 | 730 |
| 700 | 292 | 305 | 70 | 670 | 480 | 775 |
| 750 | 292 | 305 | 75 | 720 | 510 | 825 |
| 800 | 318 | 305 | 80 | 770 | 535 | 870 |
| 900 | 330 | 305 | 90 | 870 | 585 | 925 |
| 1000 | 410 | 305 | 95 | 970 | 640 | 975 |
| 1100 | 410 | 305 | 100 | 1060 | 685 | 1030 |
| 1200 | 470 | 381 | 110 | 1160 | 790 | 1120 |
| 1300 | 530 | 381 | 110 | 1260 | 850 | 1190 |
| 1400 | 530 | 381 | 120 | 1360 | 920 | 1260 |
| 1500 | 530 | 381 | 125 | 1460 | 980 | 1320 |
| 1600 | 600 | 381 | 130 | 1560 | 1055 | 1490 |
| 1800 | 670 | 457 | 150 | 1760 | 1150 | 1670 |
| 2000 | 760 | 457 | 160 | 1960 | 1250 | 1850 |

| No. | Description | Materials & Specn. |
|-----|---------------------|-------------------------------|
| 01. | Body | Cast Iron IS : 210 Gr. FG 200 |
| 02. | Disc | Cast Iron IS : 210 Gr. FG 200 |
| 03. | Gland | Cast Iron IS : 210 Gr. FG 200 |
| 04. | Housing | Cast Iron IS : 210 Gr. FG 200 |
| 05. | Hand Wheel | CI/MS IS : 210 FG 200/260 |
| 06. | End Cover | CI/MS IS : 210 FG 200/260 |
| 07. | Gear Box | CI/MS IS : 210 FG 200/260 |
| 08. | Flanged Bush | G.M., LTB – IS : 318/81 |
| 09. | Thrust Block | G.M., LTB – IS : 318/81 |
| 10. | Packing | Rubber / Teflon |
| 11. | Body Seat Ring | S.S. AISI 410 / 304 |
| 12. | Ring Retainer Plate | S.S. AISI 410 / 304 |
| 13. | Driver Shaft | S.S. AISI 410 / 304 |
| 14. | Stub Shaft | S.S. AISI 410 / 304 |
| 15. | Rubber Seal | Nitrile Rubber |
| 16. | Worm Shaft | EN – 8 Carbon Steel |
| 17. | Worm Wheel | Carbon Steel |
| 18. | Dowel Pin | S.S. AISI 304 / 316 |
| 19. | Set Screw | S.S. AISI 304 / 316 |
| 20. | Stopper Lock | M.S. IS : 2062 |
| 21. | Indicator | Aluminum MFG STD |
| 22. | Bolt & Nuts | Carbon Steel IS : 1367 |

- All Dimension are in mm.
- Application : Suitable for variety of Liquids and Gaseous media in water works, Sewage Plants, Power Plant, Chemical and Petrochemical Plants ETC., for tight shut – off and control. Ideally Suited for Isolating as well as throttling services.
 - Applicable for maximum Pressure and Temp.
 - Condition with in the scope of BS : 5155 / IS : 13095 / AWWA C 504
 - Flanges : Drill as per IS : 1538 / BS 10Table D/E/DIN/ANSI Or Buyers Specn

- Operation : Manually with worm gear.
- Accessories : Extension shafting & head stock arrangement.
 - Locking Arrangement
 - Chain Wheel Operation
 - Electrical 7 Pneumatic Actuator Hydraulic Cylinder
 - Weather proof Endorsed Gear Box
- Working Pressure : PN 0.6, 1.0, 1.6
- Other MOC for All Range Available on Request