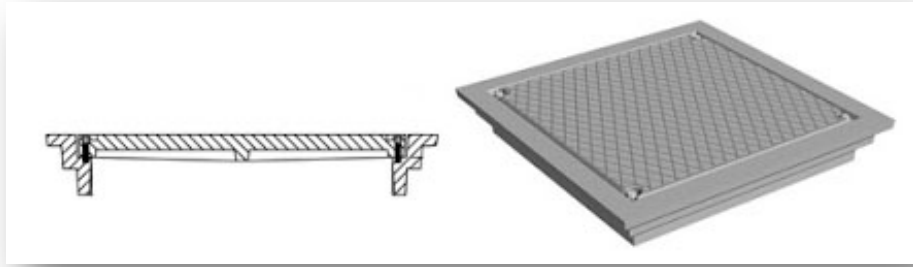


CI Square Cover With Frame

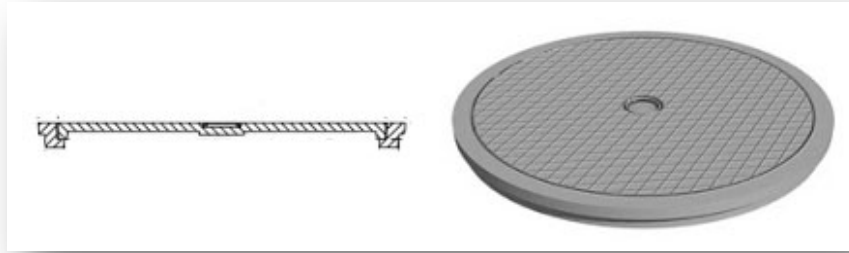


Size	Clear Opening	Outer Base	Depth	Cover Outer	Load test	Weight In Kg.
450 X 450	450	525	30	500	0.5 Ton	16
450 X 450	450	535	25	500		22
450 X 450	450	540	43	518		25
450 X 450	452	558	59	520	2.5 Ton	36
450 X 450	452	558	59	520	05 Ton	42
500 X 500	506	590	28	550		20
550 X 550	560	652	28	600		27
600 X 600	580	662	25	615		27
600 X 600	600	680	38	642	02 Ton	32
600 X 600	600	680	38	642	02 Ton	36
600 X 600	600	675	40	640	02 Ton	38
600 X 600	600	693	50	650	05 Ton	45
600 X 600	600	715	50	674	05 Ton	50
600 X 600	600	712	50	650	08 Ton	70
600 X 600	596	770	85	690	08 Ton	100
600 X 600	596	770	85	690	10 Ton	115
600 X 600	600	850	122	690	20 Ton	210
750 X 750	750	850	60	815	1.5 Ton	85
300 X 300	300	480	74	392		45
900 X 900	900	1090	87	995	20 Ton	275
560 X 560	560	800	122	650	20 Ton	200

Tolerance :-

1. Size : ± 5 mm.
2. Thickness : ± 1 mm.
3. Weight : $\pm 5\%$

Round Cover With Frames

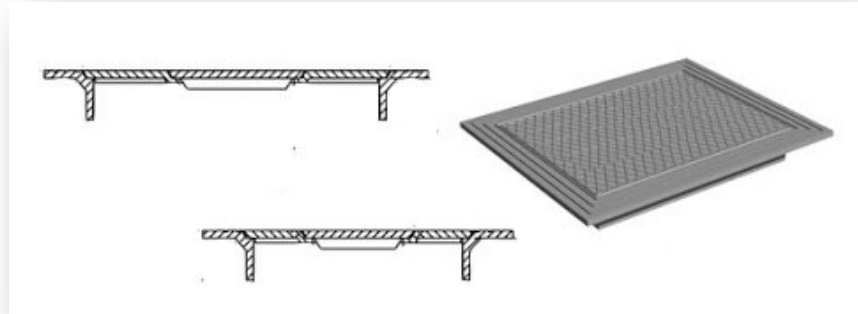


Size	Clear Opening	Cover Outer	Outer Base	Depth	Load test	Weight In Kg.
450mm.	450	520	575	50	2.5 Ton	25
450mm.	453	530	620	50	5.0 Ton	40
450mm.	450	535	600	75	3.0 Ton	50
500mm.	500	575	648	50	3.0 Ton	35
500mm.	500	572	648	50	6.0 Ton	40
500mm.	500	583	640	75	6.0 Ton	50
500mm.	500	578	670	76	14 Ton	70
500mm.	500	545	605	50		25
560mm.	558	627	740	95	20 Ton	110
600mm.	600	680	740	75	5.0 Ton	60
600mm.	600	680	740	75	10 Ton	60
600mm.	600	680	740	75	20 Ton	150

Tolerance :-

1. Size : \pm 5mm.
2. Thickness : \pm 1mm.
3. Weight : \pm 5%

Rectangular Manhole Cover & Frame

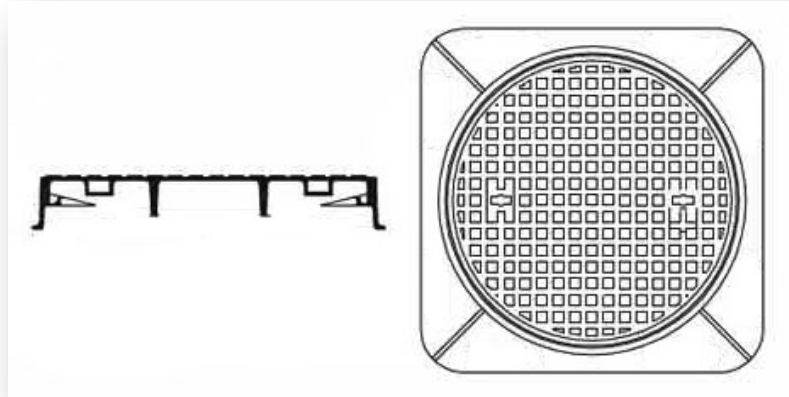


Size	Cover Thickness	Total Height	Clear Opening	Cover Outer	Frame Outer	Load Tested	Weight In Kg.
450 X 600	4	26	405 X 555	600 X 452	632 X 481		16
450 X 600	4	29	455 X 605	500 X 560	540 X 690		19
450 X 600	4	25	455 X 605	497 X 649	543 X 694		22
450 X 600	5	30	600 X 450	495 X 645	526 X 675		25
450 X 600	5	35	450 X 600	490 X 644	527 X 678		30
450 X 600	5	40	605 X 455	670 X 520	705 X 560		35
450 X 600	5	48	600 X 450	687 X 542	740 X 595	02	38
450 X 600	8	45	600 X 450	650 X 505	562 X 712	05	50
450 X 600	5	75	450 X 600	540 X 695	650 X 800	10	75
450 X 600	10	100	450 X 600	548 X 690	605 X 755	10	110
450 X 600	25	100	450 X 600	520 X 672	688 X 840	10	144
450 X 900	4	40	445 X 895	500 X 950	542 X 990		50
450 X 900	10	60	455 X 908	530 X 980	568 X 1200	03	75
450 X 900	10	60	450 X 900	525 X 965	565 X 1010	07	100
600 X 900	30	135	900 X 600	740 X 1040	850 X 1150	35	280
900 X 600	10	40	890 X 585	940 X 650	990 X 680	03	75
900 X 1200	35	456	922 X 1220	1025 X 1345	1220 X 1515	40	950

Tolerance :-

1. Size : ± 5 mm.
2. Thickness : ± 1 mm.
3. Weight : ± 5 %

Round Cover With Square Base Frame



Size	Cover Dimension	FRAME			Load Tested	Weight In Kg.
		Clear Opening	Outer Dimension	Total Height		
450	535	450	600 X 600	75	08	60
500	583	500	638 X 638	76	05	60
500	575	500	680 X 680	75	10	85
500	570	500	755 X 755	88	10	100
560	620	560	755 X 755	100	12	128
560	666	560	820 X 820	120	20	180
600	680	590	742 X 742	80	10	115
600	690	608	788 X 788	100	20	185
600	690	608	788 X 788	100	15	165

Circular Cover With Square Base Frame

Size	Clear Opening	Cover Outer	Frame Outer Base	Depth	Grade	Load Tested	Weight In Kg.
370	370	440	550	55	LD – 2.5	2.5 Ton	40
450	450	525	620	65	MD – 10	10 Ton	70
480	480	547	645	80	MD – 10	10 Ton	85
500	500	590	750	90	MD – 10	10 Ton	116
500	500	585	750	115	HD – 20	20 Ton	170
560	560	670	820	125	HD – 20	20 Ton	208
560	560	670	845	149	EHD – 35	35 Ton	255
600	600	740	895	125	HD – 20	20 Ton	235
600	600	735	900	152	EHD – 35	35 Ton	290

Tolerance :-

1. Size : \pm 5mm.
2. Thickness : \pm 1mm.
3. Weight : \pm 5%

Overhead Tank Cover

Size	Total Height	Clear Opening	Outside Base	Cover Dimension	Weight In Kg.
16 X 16	40	395	480	430	13
18 X 24	50	445 X 595	560 X 710	485 X 635	27
18	37	350	450	380	08
18	50	454	557	490	20
20	40	415	505	450	11
20	50	496	600	535	21
20	81	505	765	665	80
22	40	470	550	490	14
24 X 24	45	600	695	640	50
24	40	480	600	530	16
24	40	480	600	530	21
28	50	605	706	640	23
28	50	605	710	640	30

Square Tank Cover

Size	Clear Opening	Outer Base	Depth	Cover Outer	Weight In Kg.
24 X 24	600 X 600	695 X 695	50	642 X 642	50
21 X 21	520 X 520	634 X 634	45	570 X 570	35
19 X 19	470 X 470	580 X 580	45	515 X 515	28

Double Seal, Square Cover With Frame

Size	Clear Opening	Cover Outer	Frame Outer Base	Depth	Load Tested	Weight In Kg.
300 X 300	300 X 300	405 X 405	440 X 40	33	5.0 Ton	17
450 X 450	453 X 453	570 X 570	600 X 600	30		32
450 X 450	450 X 450	595 X 595	625 X 625	38	2.5 Ton	45
600 X 600	596 X 596	704 X 704	740 X 740	40		65
600 X 600	600 X 600	730 X 730	804 X 804	75	10 Ton	115
560 X 560	560 X 560	720 X 720	838 X 838	122	25 Ton	250
450 X 600	450 X 600	545 X 695	600 X 745	40		52

Tolerance :-

1. Size : \pm 5mm.
2. Thickness : \pm 1mm.
3. Weight : \pm 5%

Double Seal, Round Cover With Frame

Size	Cover Dimension	Frame			Load Tested	Weight In Kg.
		Total Height	Clear Opening	Outside Dimension		
18"	625	55	450	704	07 Ton	52
18"	625	55	450	704	10 Ton	65
20"	665	75	498	746	10 Ton	115
20"	665	75	500	746	10 Ton	80

Recess Cover With Frame

Size	Clear Opening	Cover Outer	Frame Outer Base	Depth	Weight In Kg.
200 X200	195 X 195	224	248	50	7.5
250 X 250	245 X 245	275	295	52	9.5
300 X 300	293 X 293	324	345	55	14
400 X 400	395 X 395	427	448	58	22
450 X 450	445 X 445	475	500	58	26
600 X 450	444 X 594	472 / 618	495 / 645	58	33

CI Circular Cover With Squire Frame

Size	Frame			Cover Dimension	Grade	Load Tested	Weight In Kg.
	Total Height	Clear Opening	Outside Dimension				
370	55	380	550 X 550	440	LD-2.5	2.5 Ton	40
450	70	450	620 X 620	520	MD-10	10 Ton	70
480	80	480	650 X 650	550	MD-10	10 Ton	85
500	90	500	750 X 750	590	MD-10	10 Ton	116
500	115	500	750 X 750	588	HD-20	20 Ton	170
560	125	560	820 X 820	668	HD-20	20 Ton	208
560	145	560	830 X 830	668	EHD-35	35 Ton	255
600	125	600	900 X 900	735	HD-20	20 Ton	235
600	155	600	900 X 900	735	EHD-35	35 Ton	290

CI Rectangular Cover With Rectangular Frame

Size	Frame			Cover Dimension	Grade	Load Tested	Weight In Kg.
	Total Height	Clear Opening	Outside Dimension				
450 X 600	45	600 X 450	650 X 800	540 X 690	LD-2.5	2.5 Ton	38

CI Square Cover

Size	Frame			Cover Dimension	Load Tested	Weight In Kg.
	Total Height	Clear Opening	Outside Dimension			
100 X 100	20	100 X 100	154 X 154	130 X 130		02
150 X 150	20	150 X 150	210 X 210	185 X 185		03
200 X 200	27	195 X 195	252 X 252	235 X 235		3.8
225 X 225	17	215 X 215	276 X 276	260 X 260		4.0
250 X 250	20	250 X 250	305 X 305	285 X 285		4.5
300 X 300	17	300 X 300	360 X 360	335 X 335		7.0
300 X 300	40	300 X 300	380 X 380	350 X 350		14
300 X 300	25	292 X 292	360 X 360	335 X 335		10
300 X 300	74	300 X 300	480 X 480	392 X 392		45
350 X 350	20	352 X 352	430 X 430	400 X 400		10
375 X 375	20	377 X 377	445 X 445	425 X 425		10
375 X 375	25	374 X 374	460 X 460	425 X 415		12
400 X 400	30	400 X 400	480 X 480	448 X 448		14
400 X 400	38	400 X 400	600 X 600	490 X 490	2.5 Ton	36
450 X 450	30	450 X 450	525 X 525	500 X 500		16
450 X 450	35	450 X 450	540 X 540	498 X 498		22
450 X 450	42	450 X 450	540 X 540	518 X 518		25
450 X 450 X 60	60	451 X 451	560 X 560	520 X 520	2.5 Ton	36
450 X 450	36	450 X 450	645 X 645	537 X 537	2.5 Ton	36
450 X 450 X 60	60	451 X 451	560 X 560	520 X 520	5.0 Ton	42
500 X 500	25	500 X 500	575 X 575	535 X 535		18
500 X 500	28	505 X 505	590 X 590	535 X 535		20
550 X 550	30	560 X 560	630 X 630	585 X 585		24
550 X 550	30	550 X 550	645 X 645	600 X 600		27
550 X 550	122	560 X 560	800 X 800	650 X 650	20 Ton	200
600 X 600	40	600 X 600	683 X 683	630 X 630		30
600 X 600	25	600 X 600	690 X 690	640 X 640		27
600 X 600	40	600 X 600	680 X 680	630 X 630	2.0 Ton	32
600 X 600	40	600 X 600	680 X 680	635 X 635	2.0 Ton	36
600 X 600	40	600 X 600	675 X 675	640 X 640	2.0 Ton	38
600 X 600	42	600 X 600	680 X 680	640 X 640	3.0 Ton	45
600 X 600	50	600 X 600	695 X 695	630 X 630	5.0 Ton	52
600 X 600	50	600 X 600	712 X 712	650 X 650	8.0 Ton	70
600 X 600	85	600 X 600	755 X 755	685 X 685	8.0 Ton	100
600 X 600	85	600 X 600	755 X 755	685 X 685	10 Ton	115
600 X 600	122	600 X 600	850 X 850	690 X 690	20 Ton	210
750 X 750	60	750 X 750	860 X 860	815 X 815	1.5 Ton	85
900 X 900	60	900 X 900	1030 X 1030	973 X 973	2.0 Ton	175
900 X 900	87	900 X 900		995 X 995		275

Tolerance :-

1. Size : \pm 5mm.
2. Thickness : \pm 1mm.
3. Weight : \pm 5%

CI Rectangular Cover With Frame

Size	Frame			Cover Dimension	Load Tested	Weight In Kg.
	Total Height	Clear Opening	Outside Dimension			
225 X 300	20	230 X 304	301 X 377	272 X 350		7
225 X 300	22	230 X 304	301 X 377	272 X 350		10
450 X 600	26	400 X 550	625 X 475	598 X 450		17
450 X 600	25	600 X 450	520 X 665	492 X 640		18
450 X 600	25	450 X 600	520 X 670	492 X 640		19
450 X 600	28	600 X 452	530 X 680	490 X 640		21
450 X 600	28	450 X 600	528 X 678	490 X 640		22
450 X 600	30	600 X 450	528 X 678	492 X 640		25
450 X 600	30	450 X 600	528 X 678	490 X 640		30
450 X 600	30	605 X 455	528 X 678	490 X 640		35
450 X 600	48	600 X 450	740 X 595	687 X 542	2.5 Ton	38
450 X 600	40	600 X 450	540 X 687	650 X 500	5.0 Ton	50
450 X 600	75	450 X 600	650 X 800	540 X 695	10 Ton	75
450 X 600	100	450 X 600	605 X 755	548 X 690	10 Ton	110
450 X 600	100	450 X 600	688 X 840	520 X 672	10 Ton	144
450 X 900	40	445 X 895	542 X 990	500 X 950	1.5 Ton	50
450 X 900	60	450 X 908	568 X 1013	526 X 968	3.0 Ton	75
450 X 900	60	450 X 300	565 X 1010	525 X 965	7.0 Ton	100
900 X 600	40	890 X 585	990 X 680	940 X 650	3.0 Ton	75
900 X 1200	156	922 X 1220	1220 X 1515	1025 X 1345	40 Ton	950
900 X 450	60	450 X 900	565 X 1010	525 X 965	10 Ton	125
900 X 450	135	450 X 895	670 X 1110	560 X 1005		200
900 X 1200	135	902 X 1220	1150 X 1580	735 X 1035		600
	FOR BHUTAN (Cover 125 kGS)					
1090 X 1075	70	925 X 960	1090 X 1075	1030 X 1015		175

CI Square Cover With Square Frame

Size	Frame			Cover Dimension	Grade	Load Tested	Weight In Kg.
	Total Height	Clear Opening	Outside Dimension				
450 X 450	40	450 X 450	650 X 650	540 X 540	LD-2.5	2.5 Ton	36
400 X 400	40	400 X 400	600 X 600	490 X 490	LD-2.5	2.5 Ton	31
560 X 560	125	560 X 560	800 X 800	648 X 648	HD-20	2.0 Ton	200

Tolerance :-

1. Size : $\pm 5\text{mm}$.
2. Thickness : $\pm 1\text{mm}$.
3. Weight : $\pm 5\%$

CI Round Cover With Frame

Size	Frame			Cover Dimension	Load Tested	Weight In Kg.
	Total Height	Clear Opening	Outside Dimension			
400	20	290	375	347		
450	22	355	434	395		
450	50	450	570	515	2.5 Ton	25
450	50	450	620	530		40
450	75	450	590	527	8.0 Ton	50
500	60	495	605	550	03 Ton	35
500	75	500	635	575	06 Ton	50
500	28	418	505	460		10
500	60	495	605	550	06 Ton	40
500	50	495	603	545		25
500	75	500	670	575	10 Ton	70
550	27	450	555	500		14
550	60	560	670	620	05 Ton	42
550	95	558	740	627	20 Ton	115
600	75	600	740	680	05 Ton	60
600	75	600	740	680	10 Ton	90

CI Round Cover With Square Frame

Size	Frame			Cover Dimension	Load Tested	Weight In Kg.
	Total Height	Clear Opening	Outside Dimension			
450	75	450	600 X 600	525	08	60
500	76	500	638 X 638	583	05	60
500	75	500	680 X 680	575	10	85
500	88	500	755 X 755	590	10	100
560	100	560	755 X 755	620	12	128
560	120	560	820 X 820	666	20	180
600	80	580	735 X 735	680	10	115
600	100	608	788 X 788	690	20	185
600	100	608	788 X 788	690	15	165

CI Double Seal Round Cover With Frame

Size	Frame			Cover Dimension	Load Tested	Weight In Kg.
	Total Height	Clear Opening	Outside Dimension			
450	55	450	704	625	07 Ton	52
450	55	450	704	625	10 Ton	65
500	75	498	746	665	10 Ton	115
500	75	500	746	665	10 Ton	80

CI Double Seal Square Cover With Frame

Size	Frame			Cover Dimension	Load Tested	Weight In Kg.
	Total Height	Clear Opening	Outside Dimension			
300 X 300	32	300 X 300	440 X 440	407 x 407	05 Ton	17
450 X 450	30	452 X 452	595 X 595	566 x 566		32
450 X 450	35	445 X 445	615 X 615	583 x 583	2.5 Ton	45
560 X 560	120	560 X 560	840 X 840	720 x 720	20 Ton	250
600 X 600	40	595 X 595	740 X 740	704 x 704	03 Ton	70
600 X 600	80	595 X 595	765 X 765	708 x 708	06 Ton	90
600 X 600	75	600 X 600	805 X 805	730 x 730	08 Ton	115
600 X 600	40	595 X 595	740 X 740	704 x 704		65
450 X 600	40	450 X 598	600 X 745	545 x 695	05 Ton	52

CI Lamp Hole Type Cover With Frame

Size	Frame			Cover Dimension	Load Tested	Weight In Kg.
	Total Height	Clear Opening	Outside Dimension			
450 X 100	65	400	527	410		14
450 X 100	105	385	535	435	2.5 Ton	25
450 X 100	105	382	535	438	2.5 Ton	30
450 X 100	110	400	590	460	8.0 Ton	50

CI Tank Cover

Size	Frame			Cover Dimension	Weight In Kg.
	Total Height	Clear Opening	Outside Dimension		
400 X 400	40	395	480	430	13
450 X 600	50	445 X 595	560 X 170	485 X 635	27
450	37	350	450	380	08
450	50	454	557	490	20
500	40	415	505	450	11
500	50	496	600	535	21
500	81	505	765	665	80
550	40	455	550	490	14
600 X 600	45	600	695	650	50
600	40	480	600	515	16
600	40	480	600	530	21
700	50	605	706	640	23
700	50	605	710	640	30

CI Cover As Per IS : 1726

Size	Frame			Cover Dimension	Load Tested	Weight In Kg.
	Total Height	Clear Opening	Outside Dimension			
610 X 145	110	450 X 600	688 X 840	520 X 672	12 Ton	144
900 X 450	115	450 X 900	670 X 1200	565 X 1100		200
900 X 600	135	600 X 900	845 X 1145	735 X 1035		280

CI Hinge Cover With Frame

Size	Frame			Cover Dimension	Weight In Kg.
	Total Height	Clear Opening	Outside Dimension		
250 X 250	18	217 X 217	290 X 290	255 X 255	04
300 X 300	18	255 X 255	332 X 332	294 X 294	06
300 X 300	25	300 X 300	365 X 365	325 X 325	7.5
300 X 300	30	260 X 260	344 X 344	300 X 300	12
400 X 400	25	365 X 365	433 X 433	395 X 395	11
400 X 400	25	395 X 395	485 X 485	430 X 430	16
450 X 450	25	445 X 445	535 X 535	485 X 485	18
600 X 600	40	600 X 600	720 X 720	645 X 645	40

Gully Gratings With Frame

Size	Outer Dimension	Frame			Weight In Kg.
		Total Height	Clear Opening	Outside Dimension	
375 X 300	355 X 270	58	258 X 358	458 X 365	18
375 X 300	355 X 270	58	258 X 358	458 X 365	25
375 X 450	338 X 392	105	340 X 388	495 X 450	40
450 X 500	485 X 450	105	435 X 462	558 X 595	75
450 X 600	460 X 590	100	435 X 560	550 X 690	80

CI Gully Grating

Size	Frame			Cover Dimension	Weight In Kg.
	Total Height	Clear Opening	Outside Dimension		
375 X 300	58	258 X 358	458 X 365	355 X 270	18
375 X 300	58	258 X 358	458 X 365	355 X 270	25
375 X 450	105	340 X 388	495 X 450	338 X 392	40
450 X 500	105	435 X 462	558 X 595	458 X 450	75
450 X 600	100	435 X 460	550 X 690	460 X 590	80

CI Grating

Size	Weight
150 x 450 x 15	3.5
150 X 450 X 20	7.0
155 x 310 x 6	2.5
155 x 610 x 20	12.0
175 x 300 x 25	7.0
200 X 300 X 25	8.5
200 X 615 X 25	12.5
230 X 454 X 18	13.0
230 X 600 X 20	14.0
250 X 610 X 35	20.0
253 X 310 X 18	8.5
255 X 760 X 10	8.0
280 X 500 X 20	15.0
285 X 460 X 19	13.0
285 X 500 X 30	21.0
300 X 300 X 20	10.5
300 X 400 X 30	20.0
300 X 490 X 20	14.0
300 X 490 X 20	21.0
300 X 600 X 30	27.0
300 X 760 X 10	10.0
300 X 300 X 10	15
305 X 456 X 20	15.0
305 X 610 X 8	6.5
308 X 610 X 25	18.0
310 X 230 X 18	7.0
325 X 500 X 20	15.0
350 X 380 X 20	16.0
350 X 380 X 30	24.0
350 X 500 X 30	28.0
360 X 460 X 15	6.0

Size	Weight
362 X 500 X 20	18.0
385 X 455 X 38	26.0
400 X 490 X 20	22.0
400 X 490 X 20	28.0
400 X 500 X 20	23.0
400 X 500 X 50	40.0
420 X 1000 X 20	45.0
420 X 600 X 30	34.0
440 X 900 X 40	50.0
450 X 450 X 10	10.0
450 X 550 X 20	22.0
450 X 600 X 35	50.0
458 X 910 X 80	170.0
460 X 610 X 48	60.0
460 X 615 X 20	26.0
490 X 700 X 20	32.0
500 X 500 X 40	35.0
500 X 500 X 50	70.0
500 X 500 X 50	70.0
500 X 500 X 30	30.0
505 X 730 X 63	110.0
505 X 810 X 87	155.0
525 X 800 X 40	47.0
550 X 500 X 40	42.0
600 X 600 X 25	38.0
600 X 600 X 35	60.0
600 X 600 X 40	75.0
600 X 600 X 55	90.0
600 X 860 X 50	120.0
655 X 1013 X 20	60.0
1900 X 700 X 50	155.0

CI Hinge Grating

Size	Frame			Cover Dimension	Weight In Kg.
	Total Height	Clear Opening	Outside Dimension		
100 X 100	24	80 X 85	155 X 155	102 X 118	1.5
300 X 300	25	195 X 195	262 X 262	205 X 218	2.5
300 X 300	26	235 X 235	305 X 305	250 X 262	5.0
225 X 225	22	155 X 155	230 X 230	169 X 180	2.0
300 X 300	34	300 X 300	378 X 378	314 X 335	8.0
375 X 375	34	300 X 300	378 X 378	314 X 335	8.5

CI Grating With Frame

Size	Frame			Load Tested	Weight		
	ID	OD	Height		Frame	Grating	Total
150 X 150 X 12	125 X 125	175 X 175	18		1.0	1.2	2.2
150 X 300 X 15	130 X 280	200 X 350	23		3.0	3.0	6.0
172 X 366 X 25	150 X 348	203 X 403	32		4.0	8.0	12
208 X 208 X 30	186 X 186	260 X 260	33		4.0	4.0	8.0
223 X 770 X 25	204 X 745	255 X 800	34		7.0	20	27
225 X 225 X 12	202 X 202	255 X 255	18		1.3	2.7	4.0
250 X 250 X 12	225 X 225	275 X 275	18		1.5	3.5	5.0
302 X 590 X 35	272 X 560	355 X 415	50	14 Ton	9.0	27	36
310 X 600 X 25	290 X 585	370 X 630	40	07 Ton	10	18	28
350 X 605 X 60	305 X 555	430 X 645	80	26 Ton	34	56	100
400 X 400 X 49	350 X 350	450 X 450	64	20 Ton	18	32	50
500 X 500 X 25	450 X 450	560 X 560	50	08 Ton	14	23	37
500 X 500 X 40	448 X 448	558 X 558	55	10 Ton	15	35	50
300 X 300 X 15	285	340	23		3.0	6.0	9.0
600 X 600 X 35	545	670	50	15 Ton	28	60	88

Tolerance :-

1. Size : \pm 5mm.
2. Thickness : \pm 1mm.
3. Weight : \pm 5%