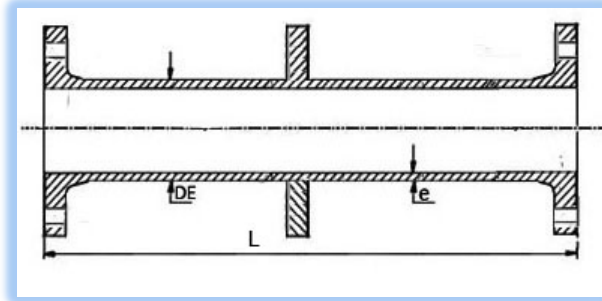
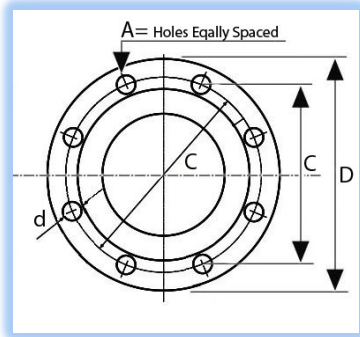


$$e = 14/12 (7 + 0.02 DN)$$

Nominal Diameter (DN)	Barrel Outside Dia (DE)	Barrel Thick e	Barrel / Mtr. Mass App.	Mass / Flange App.	App. Mass of Double Flanges Puddle Pipe (Weight In Kg)		
					0.50Mtr	0.75Mtr	1.00Mtr
50		9.0	12.5	2.3	13.15	16.28	19.4
80	98	10.0	19.8	3.7	21.00	25.95	30.9
100	118	10.5	25.4	4.2	25.30	31.65	38.0
125	144	11.1	33.1	5.3	32.45	40.73	49.0
150	170	11.7	41.6	6.7	40.90	51.3	61.7
200	222	12.8	60.1	9.3	57.95	72.98	88.0
250	274	14.0	81.8	12.0	76.90	97.35	117.8
300	326	15.2	106.1	14.8	97.45	123.98	150.5
350	378	16.3	133.5	19.0	123.75	157.12	190.5
400	429	17.5	162.6	23.4	151.50	192.15	232.8
450	480	18.7	197.0	26.5	178.00	227.25	276.5
500	532	19.8	229.3	32.1	210.95	268.28	325.6
600	635	22.2	306.5	44.0	285.25	361.88	438.5
700	738	24.5	394.3	59.9	376.85	475.43	574.0
750	790	25.6	443.8	69.7	431.00	541.96	625.9

NOTES :

1. Puddle Flange(for wall casting) Position (Changeable) depend on customer's requirements.
2. Pipe Length depend on customer's requirements.



$$e = 7 + 0.02 DN$$

Nominal Diameter (DN)	Barrel Outside Dia (DE)	Mass / Flange App.	Barrel Pipe Per Mtr. Weight (Kg)			App. Mass of Double Flanges Puddle Pipe (Pipe Length 1.0 Mtr.) Weight In Kg.		
			LA	A	B	LA	A	B
80	98	4.3	14.7	16.0	18.7	27.6	28.9	31.6
100	118	5.0	18.6	20.5	22.0	33.6	35.5	37.0
125	144	6.6	24.2	26.4	28.7	44.0	46.2	48.5
150	170	8.2	30.1	33.2	35.9	54.7	57.8	60.5
200	222	11.4	44.0	48.1	52.1	93.5	82.3	86.3
250	274	14.7	59.3	65.0	70.6	103.4	109.1	114.7
300	326	18.6	76.5	84.0	91.4	132.3	139.8	147.2
350	378	21.2	96.3	105.0	114.5	159.9	168.6	178.1
400	429	27.3	116.9	128.7	139.5	198.8	210.6	221.4
450	480	32.6	141.0	156.0	169.0	238.8	253.8	266.8
500	532	38.1	165.2	181.0	196.7	279.5	295.3	311.0
600	635	52.4	219.8	241.4	262.9	377.0	398.6	420.1
700	738	71.9	283.2	311.6	338.2	498.9	527.3	553.9
750	790	84.4	317.2	348.9	380.6	570.4	602.1	633.8
800	842	96.9	354.9	389.1	423.1	645.6	679.8	713.8
900	945	113.5	431.8	474.3	516.6	772.3	814.8	857.1
1000	1048	134.0	518.3	570.0	619.2	920.3	972.0	1021.2

NOTES :

1. Pipe Length depend on customer's requirements.
2. Puddle flanges (for wall casting) may be welded on pipes are customer's requirements.