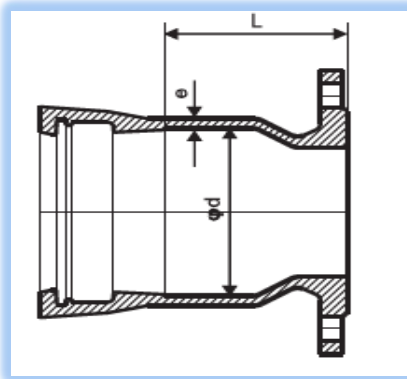
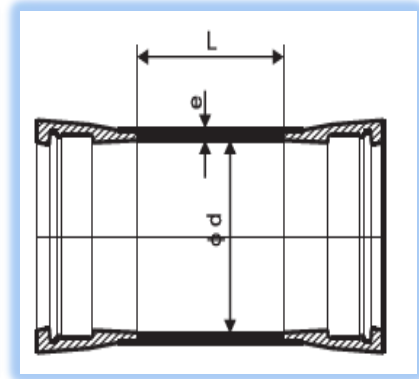


Flange Spigot



Flange Socket



Collars

Nominal Dia. (DN)	e	Flange Spigot		Flange Socket		Collar		
		L	App. Mass	L	App. Mass	e	L	App. Mass
80	10.0	400	12	150	13	10.9	158	14
100	10.5	400	14	150	16	11.4	160	17
125	11.1	400	19	150	20	12.0	163	22
150	11.7	400	23	150	26	12.6	165	28
200	12.8	500	39	150	37	13.8	170	40
250	14.0	500	53	300	62	15.0	175	55
300	15.2	500	68	300	79	16.2	180	71
350	16.3	500	85	300	100	17.5	185	90
400	17.5	500	104	300	123	18.6	190	110
450	18.7	500	123	300	142	19.8	195	133
500	19.8	500	146	300	173	21.1	200	159
600	22.2	600	227	300	234	23.5	210	216
700	24.5	600	295	300	306	25.9	220	283
750	25.6	600	334	300	347	27.2	225	320
800	26.8	600	375	300	391	28.4	230	360
900	29.2	600	455	300	476	30.8	240	448
1000	31.5	600	552	300	580	33.2	250	547
1050	32.6	800	745	500	780	35.0	255	601
1100	33.8	800	818	500	865	35.6	260	655
1200	36.2	800	967	500	1021	38.0	270	779
1500	43.2	800	1456	500	1463	45.4	300	1261